

Sapphire



Osram Driver | High output LED Chip | IK8 | Easy Install

Applications

- ◊ Mezzanines
- ◊ Car Parks
- ◊ Work shops
- ◊ Wash Rooms
- ◊ Manufacturing
- ◊ External

Specification

- ◊ Efficacy (lm/W): 160
- ◊ Voltage (V AC): 100 - 277
- ◊ Frequency (Hz): 50/60
- ◊ Power Factor >95
- ◊ IP: 54 * with sensor
- ◊ Beam Angle(°) : 120
- ◊ Colour Temperature : 4000k
- ◊ Colour Rendering (Ra) >80
- ◊ Average Life (hrs) : 50000 (L70)
- ◊ Operating Temperature: (°) -20 to + 35



Options

- ◊ DALI PIR (Programmable sensor) * Add suffix - DI-P
- ◊ PIR (Programmable sensor) * Add Suffix P
- ◊ Microwave Sensor (programmable) * Add suffix M
- ◊ 600mm - 1200mm (Please call)



Ordering information

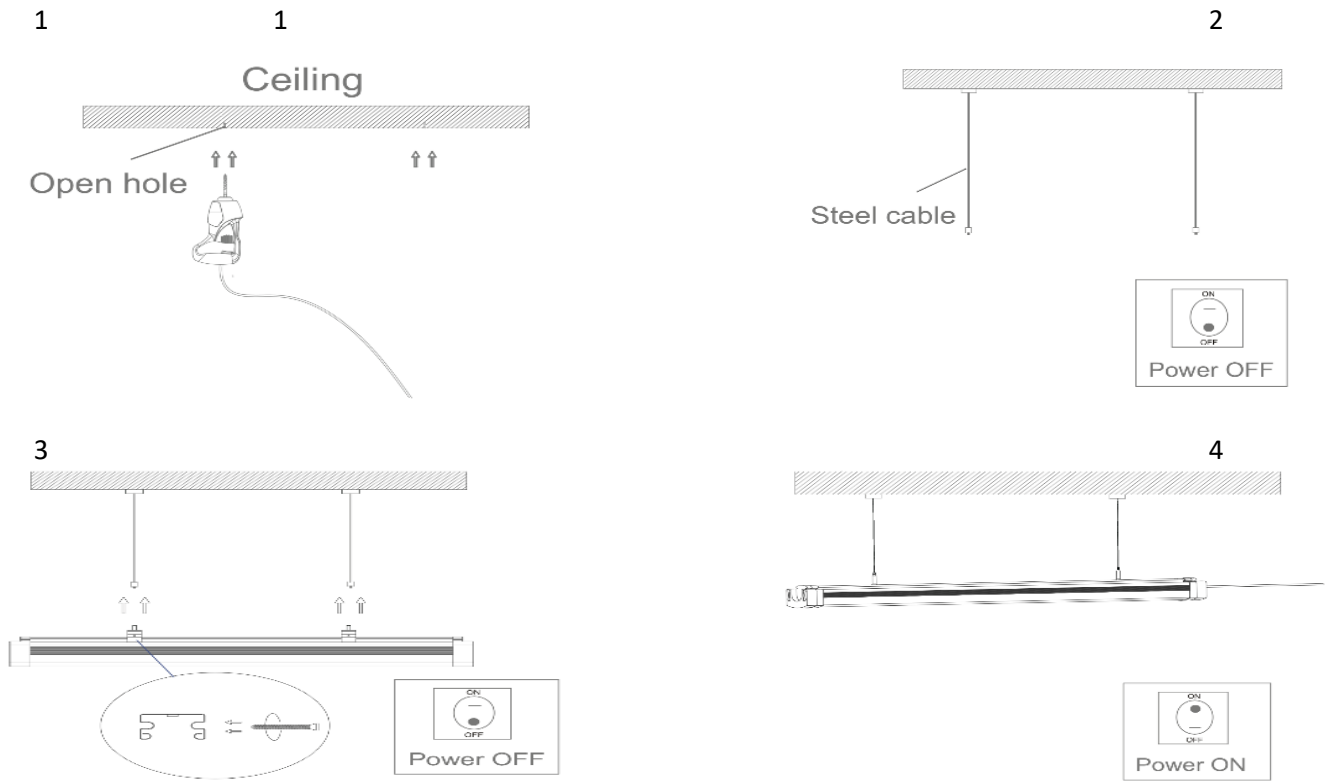
Variant Code	Power (w)	Lumens	mm			Weight (Kg)
			Length	Width	Depth	
SAP-40-4-140	40	5422	1500	85	75	4
SAP-50-4-140	50	6123	1500	85	75	4
SAP-60-4-140	60	7310	1500	85	75	4
SAP-80-4-120	80	9600	1500	85	75	4



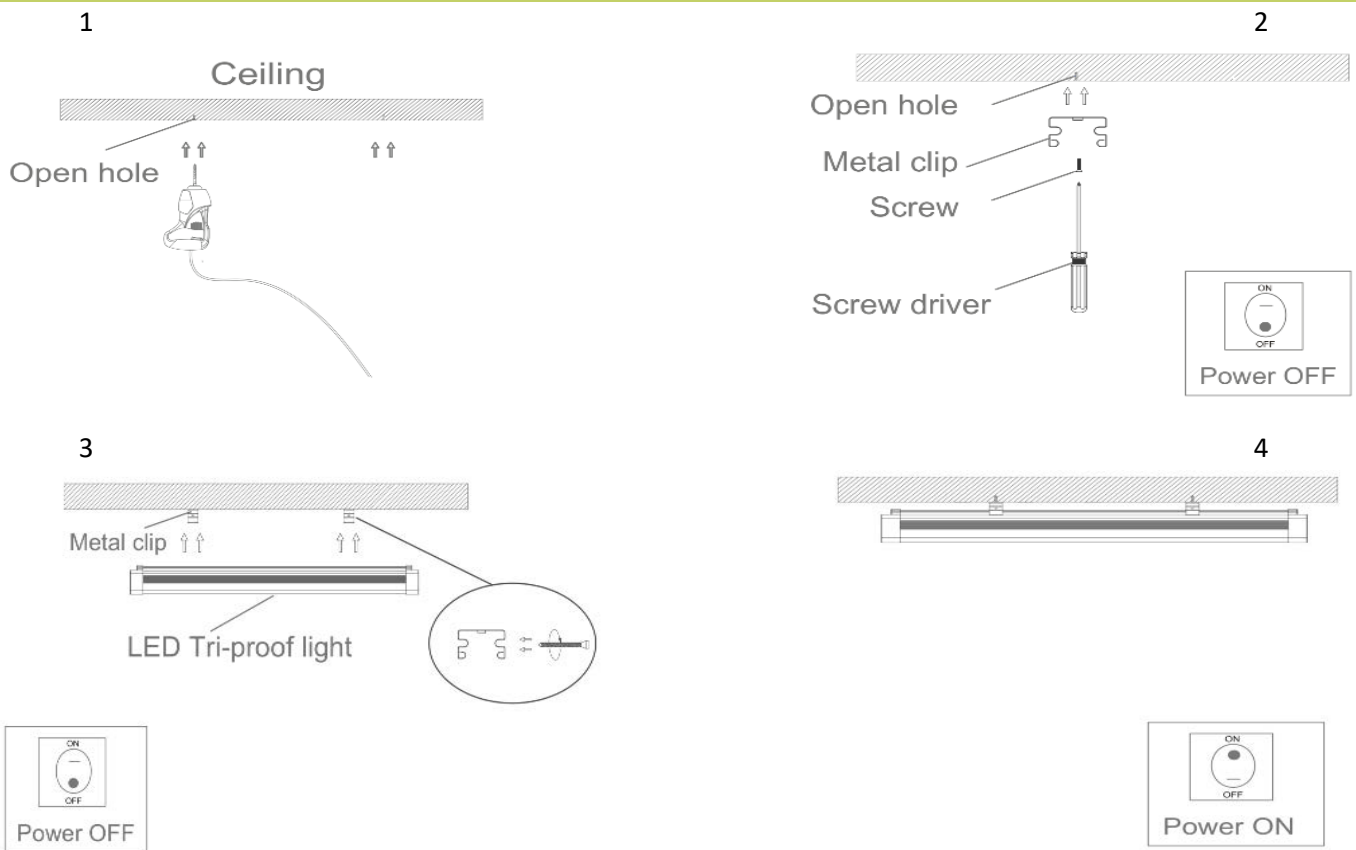
Sapphire Installation Instructions



Suspended Mounting



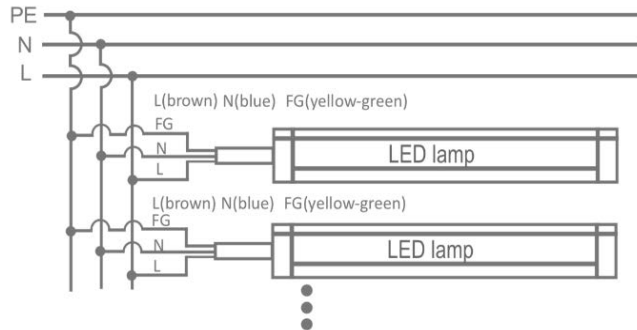
Ceiling Mounting



Sapphire Installation Instructions



Connections



Please note: If the external flexible cable or cord of this luminaire is damaged, it shall be exclusively replaced by the manufacturer or his service agent or a similar qualified person in order to avoid a hazard.

"The light source in this luminaire shall only be replaced by the manufacturer or his service agent or a similar qualified person".

It is recommended that this product is installed by a competent person ensuring the installation complies with the necessary standards. EcoLightingUK Ltd accepts no responsibility for injury, damage or loss, which may arise as a result of incorrect installation or maintenance